

# *Grizzly* *Industrial, Inc.*®

## 10" WET TILE SAW MODEL H3390 INSTRUCTION MANUAL



COPYRIGHT © NOVEMBER 2002 BY GRIZZLY INDUSTRIAL, INC  
**WARNING: NO PORTION OF THIS MANUAL MAY BE REPRODUCED IN ANY SHAPE  
OR FORM WITHOUT THE WRITTEN APPROVAL OF GRIZZLY INDUSTRIAL, INC.**  
PRINTED IN CHINA

#### **ONLINE MANUAL DISCLAIMER**

THE INFORMATION IN THIS MANUAL REPRESENTS THE CONFIGURATION OF THE MACHINE AS IT IS CURRENTLY BEING SHIPPED. THE MACHINE CONFIGURATION CAN CHANGE AS PRODUCT IMPROVEMENTS ARE INCORPORATED. IF YOU OWN AN EARLIER VERSION OF THE MACHINE, THIS MANUAL MAY NOT EXACTLY DEPICT YOUR MACHINE. CONTACT CUSTOMER SERVICE IF YOU HAVE ANY QUESTIONS ABOUT DIFFERENCES. PREVIOUS VERSIONS ARE NOT AVAILABLE ONLINE.

# WARNING

Some dust created by power sanding, sawing, grinding, drilling, and other construction activities contains chemicals known to the State of California to cause cancer, birth defects or other reproductive harm. Some examples of these chemicals are:

- Lead from lead-based paints.
- Crystalline silica from bricks, cement, and other masonry products.
- Arsenic and chromium from chemically treated lumber.

Your risk from these exposures varies, depending on how often you do this type of work. To reduce your exposure to these chemicals: work in a well ventilated area, and work with approved safety equipment, such as those dust masks that are specially designed to filter out microscopic particles.

# TABLE OF CONTENTS

	PAGE
<b>1. SAFETY</b> .....	<b>2</b>
SAFETY RULES FOR TOOLS .....	2-3
SAFETY RULES FOR TILE SAWS .....	4
<b>2. INTRODUCTION</b> .....	<b>5</b>
COMMENTARY .....	5
<b>3. CIRCUIT REQUIREMENTS</b> .....	<b>6</b>
110V .....	6
GROUNDING .....	7
EXTENSION CORDS .....	7
<b>4. SET UP</b> .....	<b>8</b>
CLEAN UP .....	8
SITE CONSIDERATIONS .....	8
MAIN FEATURES .....	9
ASSEMBLY .....	10-13
BLADE CHANGES .....	13
START UP .....	14
LUBRICATION .....	15
<b>5. OPERATION</b> .....	<b>16</b>
CUT PREPARATION .....	16
CUTTING.....	16
RIP FENCE .....	17
45° FENCE .....	17
<b>6. MAINTENANCE</b> .....	<b>18</b>
GENERAL .....	18
<b>7. REFERENCE INFO</b> .....	<b>19</b>
DATA SHEET .....	20
PARTS BREAKDOWNS & LIST .....	21-23
WARRANTY AND RETURNS .....	26-28

# SECTION 1: SAFETY

## WARNING

### For Your Own Safety Read Instruction Manual Before Operating This Equipment

The purpose of safety symbols is to attract your attention to possible hazardous conditions. This manual uses a series of symbols and signal words which are intended to convey the level of importance of the safety messages. The progression of symbols is described below. Remember that safety messages by themselves do not eliminate danger and are not a substitute for proper accident prevention measures.



Indicates an imminently hazardous situation which, if not avoided, **WILL** result in death or serious injury.



Indicates a potentially hazardous situation which, if not avoided, **COULD** result in death or serious injury.



Indicates a potentially hazardous situation which, if not avoided, **MAY** result in minor or moderate injury, or **MAY** cause property damage.

## NOTICE

This symbol is used to alert the user to useful information about proper operation of the equipment.

## WARNING

### Safety Instructions For Power Tools

- KEEP GUARDS IN PLACE** and in working order.
- REMOVE ADJUSTING KEYS AND WRENCHES.** Form habit of checking to see that keys and adjusting wrenches are removed from tool before turning on.
- KEEP WORK AREA CLEAN.** Cluttered areas and benches invite accidents.
- DO NOT USE IN DANGEROUS ENVIRONMENT.** Do not use power tools in damp or wet locations, or where any flammable or noxious fumes may exist. Keep work area well lighted.
- KEEP CHILDREN AND VISITORS AWAY.** All children and visitors should be kept at a safe distance from work area.
- MAKE WORKSHOP CHILD PROOF** with padlocks, master switches, or by removing starter keys.
- DO NOT FORCE TOOL.** It will do the job better and safer at the rate for which it was designed.
- USE RIGHT TOOL.** Do not force tool or attachment to do a job for which it was not designed.

# WARNING

## Safety Instructions For Power Tools

- 9. USE PROPER EXTENSION CORD.** Make sure your extension cord is in good condition. Conductor size must be in accordance with the chart below. The amperage rating is listed on the motor or tool nameplate. An undersized cord will cause a drop in line voltage resulting in loss of power and overheating. Your extension cord must also contain a ground wire and plug pin. Always repair or replace damaged extension cords.

Minimum Gauge for Extension Cords

AMP RATING	LENGTH		
	25ft	50ft	100ft
0-6	18	16	16
7-10	18	16	14
11-12	16	16	14
13-16	14	12	12
17-20	12	12	10
21-30	10	10	No

- 10. WEAR PROPER APPAREL.** Do not wear loose clothing, gloves, neckties, rings, bracelets, or other jewelry which may get caught in moving parts. Non-slip footwear is recommended. Wear protective hair covering to contain long hair.
- 11. ALWAYS USE ANSI-APPROVED SAFETY GLASSES.** Also use face or dust mask if cutting operation is dusty. Everyday eyeglasses only have impact resistant lenses, they are NOT safety glasses.
- 12. SECURE WORK.** Use clamps or a vise to hold work when practical. It is safer than using your hand and frees both hands to operate tool.
- 13. NEVER OVERREACH.** Keep proper footing and balance at all times.

- 14. MAINTAIN TOOLS WITH CARE.** Keep tools sharp and clean for best and safest performance. Follow instructions for lubricating and changing accessories.
- 15. DISCONNECT TOOLS** before servicing and changing accessories, such as blades, bits, cutters, and any other item.
- 16. REDUCE THE RISK OF UNINTENTIONAL STARTING.** Make sure switch is in off position before plugging in. Also, the magnetic switch on this machine may start if the switch gets bumped hard enough.
- 17. USE RECOMMENDED ACCESSORIES.** Consult the owner's manual for recommended accessories. The use of improper accessories may cause risk of injury.
- 18. CHECK DAMAGED PARTS.** Before further use of the tool, a guard or other part that is damaged should be carefully checked to determine that it will operate properly and perform its intended function. Check for alignment of moving parts, binding of moving parts, breakage of parts, mounting, and any other conditions that may affect its operation. A guard or other part that is damaged must be properly repaired or replaced.
- 19. NEVER LEAVE TOOL RUNNING UNATTENDED. TURN POWER OFF.** Do not leave tool until it comes to a complete stop.
- 20. NEVER USE UNDER THE INFLUENCE** of alcohol or drugs, or when tired.
- 21. IF AT ANY TIME YOU ARE EXPERIENCING DIFFICULTIES** performing the intended operation, stop using the machine! Then contact our service department or ask a qualified expert how the operation should be performed.

# WARNING

## Safety Instructions For Tile Saws

1. **Water Pump.** Replace the water pump with a replacement pump from our parts department only.
2. **Wet Hands.** DO NOT touch connections with wet hands.
3. **Plug In.** All plug and receptacles should be off the ground and in a dry location.
4. **Drip Loop.** Always make a drip loop with the power cord when using the saw (Figure 18, Page 14).
5. **GFCI.** Always use a GFCI in the electrical circuit of the saw (Figure 1, Page 6).
6. **Water Flow.** Ensure that a continuous flow of water is present on both side of the saw blade when cutting.
7. **Dry Cutting.** Never dry cut with blades designed for wet cutting.
8. **Blade Cooling.** DO NOT make long continuous dry cuts. Allow the blade to cool by running it in the air every few minutes.
9. **Dust Mask.** Always wear a dust mask when cutting tile.
10. **Diamond Blades.** Diamond blades DO NOT cut material, rather they grind materi-
  - a. DO NOT feed the tile into the blade faster than the blade can grind.
11. **Blade Selection.** Match the correct diamond blade to the cutting operation being performed.
12. **Blade Mounting.** Before mounting the blade, inspect the arbor, arbor nut, and flanges for damage or wear. Replace any damaged or worn parts.
13. **Blade Direction.** Check that the directional arrow on the saw blade points in a counter-clockwise direction as viewed from the mounting side.
14. **Blade Arbor.** Ensure the blade arbor hole size matches the arbor shaft size on the saw.
15. **Blade Guard.** Never operate the saw without the blade guard installed and properly adjusted.
16. **Blade Speed.** DO NOT exceed the blades safe operating speed.
17. **Side Grinding.** Never grind tile on the side of the blade, or make radius or curve cuts.

# SECTION 2: INTRODUCTION

---

## Commentary

---

We are proud to offer the Grizzly Model H3390 Wet Tile Saw. The Model H3390 is part of a growing Grizzly family of fine woodworking machinery. When used according to the guidelines set forth in this manual, you can expect years of trouble-free, enjoyable operation and proof of Grizzly's commitment to customer satisfaction.

This high quality wet cutting Tile Saw is the perfect addition for the professional tile-setter or the ambitious homeowner. The motor is a 2.5 HP, 110V, 3450 RPM induction motor. The saw features a belt driven  $\frac{5}{8}$ " arbor, an 18" ripping capacity, a 12" diagonal cutting capacity, a  $3\frac{3}{4}$ " cutting depth, a  $16\frac{3}{8}$ " x  $11\frac{1}{8}$ " table size, a 45° bullnose miter gauge, a rip fence, a sliding table, a plastic water tub, a fully submersible water pump, and a folding stand with casters for portability.

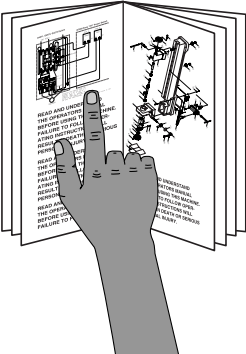
Grizzly is also pleased to provide this manual with the Model H3390. It was written to guide you through assembly, review safety considerations, and cover general operating procedures. If you have any comments regarding this manual, please write to us at the address below:

Grizzly Industrial, Inc.  
c/o Technical Documentation  
P.O. Box 2069  
Bellingham, WA 98227-2069

Most importantly, we stand behind our machines. If you have any service questions or parts requests, please call or write us at the location listed below:

Grizzly Industrial, Inc.  
1203 Lycoming Mall Circle  
Muncy, PA 17756  
Phone: (570) 546-9663  
Fax: (800) 438-5901  
E-Mail: techsupport@grizzly.com  
Web Site: <http://www.grizzly.com>

The specifications, drawings, and photographs illustrated in this manual represent the Model H3390 as supplied when the manual was prepared. However, owing to Grizzly's policy of continuous improvement, changes may be made at any time with no obligation on the part of Grizzly. Current Grizzly machine manuals can be viewed and printed at: [www.grizzly.com](http://www.grizzly.com).

	<p><b>!WARNING</b></p> <p><b>Lack of familiarity with this manual could cause serious personal injury. Become familiar with the contents of this manual, including all the safety warnings.</b></p>
--	---



# SECTION 3: CIRCUIT REQUIREMENTS

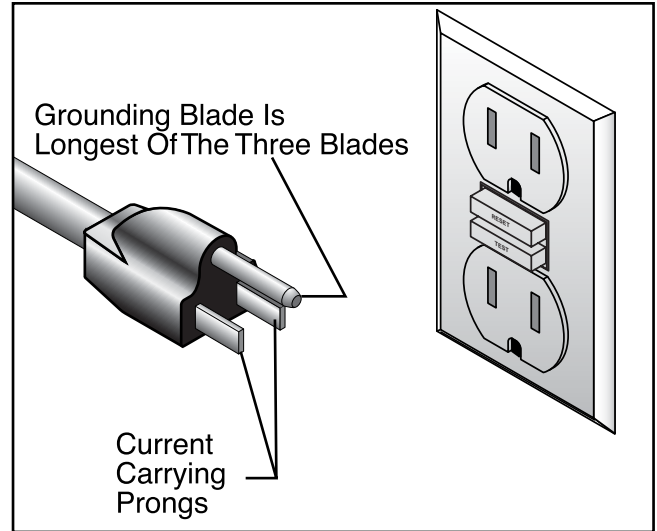
## 110V Operation

### **⚠️ WARNING**

If the machine is not wired correctly a fire could result. Make sure your wiring, receptacle, plug, and circuit breaker can handle the amperage draw of the machine. If you are not sure that your electrical circuit can handle the amperage draw, get a qualified electrician to test your electrical system and do any required upgrades. **DO NOT** attempt to modify an existing circuit by only replacing the circuit breaker with one rated for a higher amperage draw than the wiring, receptacle, and plug are rated for.

The Model H3390 is wired to operate at 110V. A Ground Fault Circuit Interrupter (GFCI) must be used at all times when using this saw. If an outlet is not available that is equipped with a GFCI, use a GFCI plug adapter between the saw power cord and a properly grounded outlet. See **Figure 1** for a typical 110V plug and GFCI outlet.

Under normal 110V use, the Model H3390 motor draws approximately 15 amps. Use a 20 amp circuit breaker or a 20 amp slow-blow fuse.



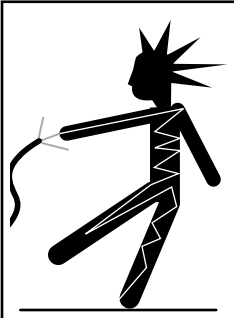
**Figure 1.** Typical 110V 3-prong plug and GFCI outlet.

The circuit you use should be dedicated, (i.e., the machine should provide the only draw from that circuit). If frequent circuit failures occur when using this machine, contact our Service Department or your local electrical contractor.





# Grounding



## **!WARNING**

Reduce the risk of electrocution by keeping all connections dry and off the ground. **DO NOT** touch plugs with wet hands. Failure to follow these warning could result in serious injury.

## **NOTICE**

The wire on the power cord with green or green and yellow striped insulation is the grounding conductor.

In the event of an electrical short, grounding provides electric current a path of least resistance to reduce the risk of electrical shock to the operator. Ground the power cord and this machine in accordance with all local codes and ordinances.

Operating this machine when it is not properly grounded can result in electric shock or electrocution.



# Extension Cord

Only use extension cords that are intended for outdoor use. These types of extension cords are designated with a label stating, "Acceptable for use with outdoor appliances; store indoors when not in use." Refer to the chart in *Section 1: Safety Instructions* to determine the minimum gauge for the extension cord. Always repair or replace extension cords when they become worn or damaged.




## **!CAUTION**


No single list of electrical guidelines can be comprehensive for all shop environments. Operating this machinery may require additional electrical upgrades specific to your machine and shop environment. It is your responsibility to make sure your electrical systems comply with all local electrical codes and ordinances.

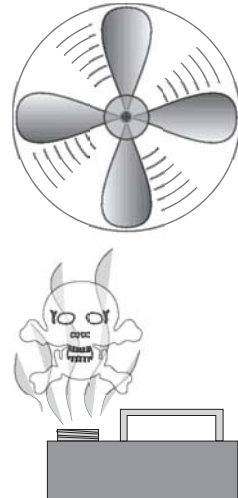
# SECTION 4: SET UP

## Clean Up

Unpainted surfaces may be coated with a waxy oil to protect them from corrosion during shipment. Remove this waxy oil with a solvent cleaner or citrus-based degreaser such as Grizzly's G7895 Degreaser. To clean thoroughly, some parts may need to be removed. **The machine will operate best when the waxy oil is removed from all moving and sliding parts.** Chlorine-based cleaners and solvents will damage the painted surfaces of the machine. Follow the manufacturer's instructions when using any type of cleaning product.

	<p><b>!WARNING</b> Gasoline or petroleum products used to clean the machinery could explode causing serious personal injury. <b>DO NOT</b> use gasoline or petroleum products to clean the machinery.</p>
--	---

	<p><b>!WARNING</b> Smoking near solvents could ignite an explosion or fire causing serious injury. <b>DO NOT</b> smoke while using solvents.</p>
---	--

	<p><b>!WARNING</b> Lack of ventilation while using solvents could cause serious personal health risks, fire, or environmental hazards. Always work in a well ventilated areas to prevent the accumulation of dangerous fumes. Supply the work area with a constant supply of fresh air using a fan.</p>
---	---

## Site Considerations

### Floor Load

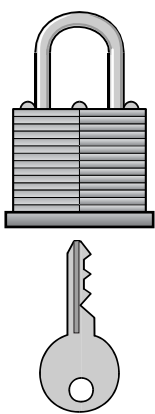
The Model H3390 is a medium load with a medium footprint. Most commercial or home shop floors should be sufficient to carry the weight of the machine. Reinforce the floor if you question its ability to support the weight.

### Working Clearance

Working clearances can be thought of as the distances between machines and obstacles that allow safe operation of every machine without limitation. Consider existing and anticipated machine needs, size of material to be processed through each machine, and space for auxiliary stands or work tables. Also, consider the relative position of each machine to one another for efficient material handling. Be sure to allow yourself sufficient room to safely run your machines in any foreseeable operation.

### Lighting

Lighting should be bright enough to eliminate shadows and prevent eye strain. Electrical circuits should be dedicated or large enough to handle combined motor amp loads. Be sure to follow local electrical codes for proper installation of new lighting or circuits.

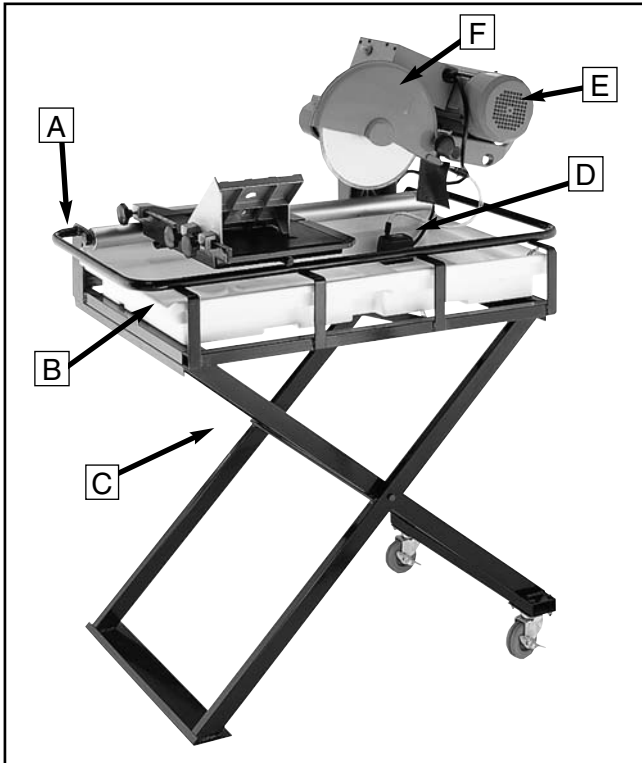
	<p><b>!WARNING</b> Unsupervised children and visitors entering a shop could receive serious personal injury. Ensure child and visitor safety by keeping all entrances to the shop locked at all times. <b>DO NOT</b> allow unsupervised children or visitors in the shop at any time.</p>
--	---



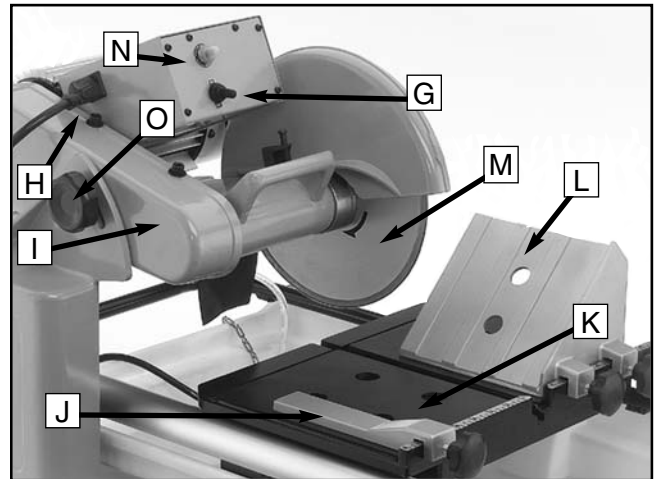
# Main Features

Set up and operation instructions will be easier to understand if you become familiar with the location and names of the basic features.

Match up the feature list below with the letters in **Figure 2 & 3** to identify the tile saw feature locations.



**Figure 2.** Right side of saw.



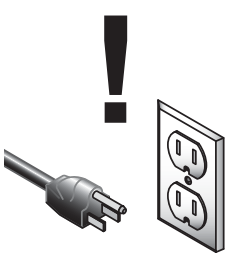
**Figure 3.** Left side of saw.


- A. Saw Frame
- B. Water Reservoir
- C. Saw Stand
- D. Water Pump
- E. Motor
- F. Blade Guard
- G. Power Switch
- H. Water Pump Plug-In
- I. V-Belt Cover
- J. Rip Fence
- K. Table
- L. 45° Bevel Miter Fence
- M. Saw Blade
- N. Circuit Reset Button
- O. Blade Height Adjustment Knob




# Assembly

	<p><b>⚠️ WARNING</b></p> <p>Keep clothing rolled up and out of the way of machinery and keep hair pulled back.</p>
---	--

	<p><b>⚠️ WARNING</b></p> <p>Disconnect power to the machine when performing any maintenance or assembly. Failure to do this may result in serious personal injury.</p>
---	--

	<p><b>⚠️ WARNING</b></p> <p>Wear safety glasses during the entire assembly process. Failure to comply may result in serious personal injury.</p>
--	--

	<p><b>⚠️ CAUTION</b></p> <p>Some metal parts may have sharp edges on them after they are formed. Please examine the edges of all metal parts before handling them. Failure to do so could result in injury.</p>
---	---

The assembly of the Model H3390 Wet Tile Saw is straightforward and can be completed in a relatively short period of time.

## To assemble the saw:

1. Assemble the two stand brackets using (2) M8-1.25 x 50 hex bolts and (2) M8-1.25 lock nuts as shown in **Figure 4**. DO NOT over-tighten.



**Figure 4.** Assembling the stand brackets.

2. Attach the casters to the mounting locations on the stand using M6-1.0 x 40 hex bolts, M6 flat washers, and M6-1.0 hex nuts as shown in **Figure 5**.



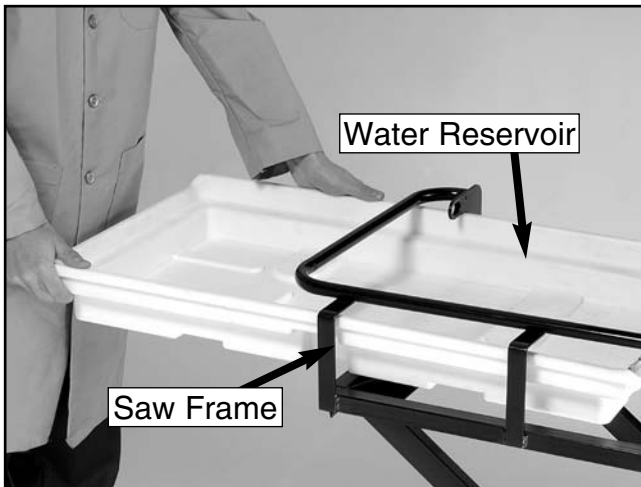
**Figure 5.** Attaching the casters.

3. Mount the saw frame to the stand using (2) M6-1.0 x 20 carriage bolts, (2) M6 external tooth washers, and (2) M6-1.0 knob bolts as shown in **Figure 6**.



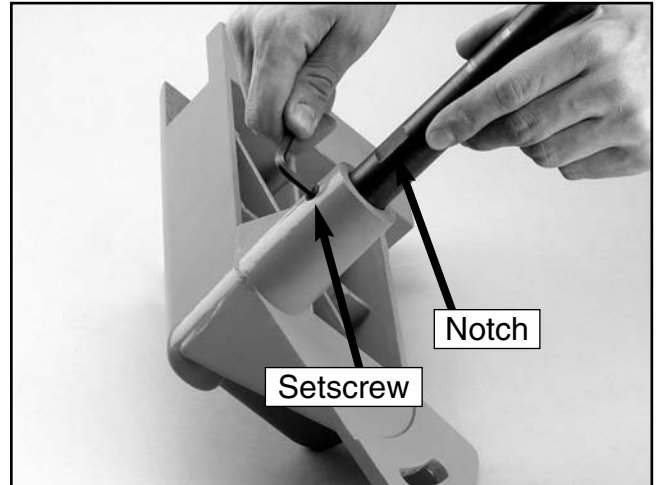
**Figure 6.** Mounting the saw frame to the stand.

4. Slide the plastic water reservoir into one end of the saw frame as shown in **Figure 7**. Be sure the reservoir is not protruding from either end of the frame.

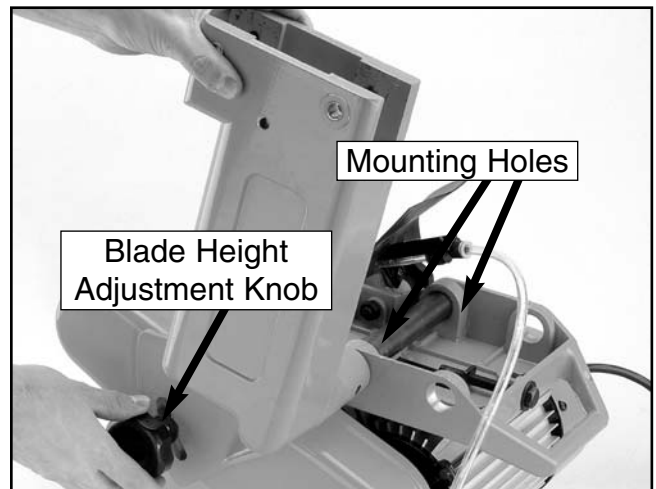


**Figure 7.** Installing the water reservoir.

5. Slide the pivot shaft into the riser block as shown in **Figure 8**. *Be sure the notched end of the pivot shaft is positioned correctly.*
6. Secure the assembly with a M10-1.5 x 10 setscrew as shown in **Figure 8**.
7. Slide the pivot shaft into the mounting holes on the motor assembly and secure with the blade height adjustment knob as shown in **Figure 9**.

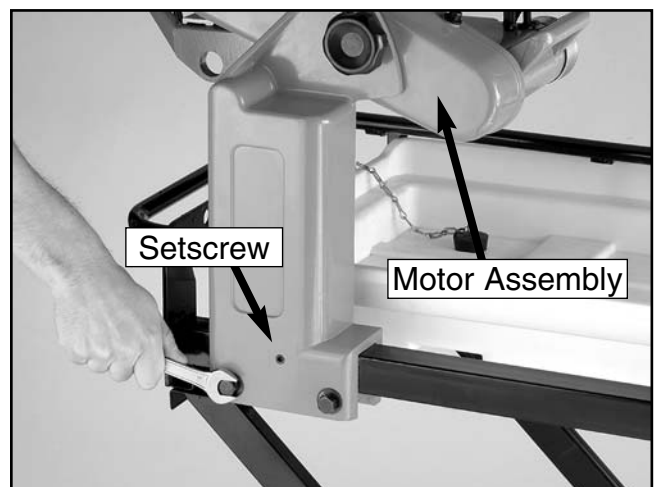


**Figure 8.** Attaching the pivot shaft to the riser block.



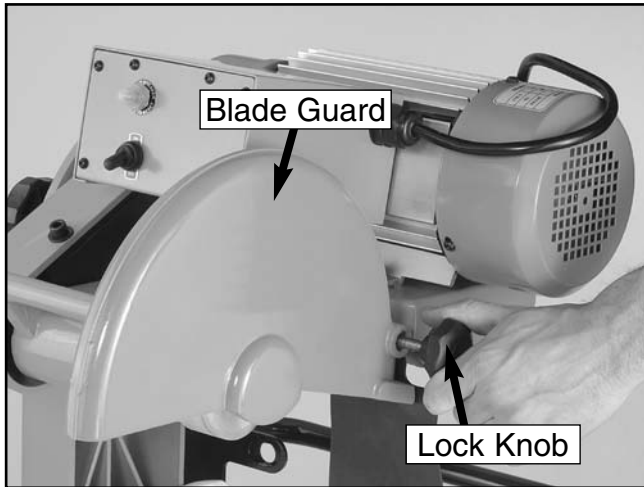
**Figure 9.** Securing the riser block to the motor assembly using the blade height adjustment knob.

8. Mount the motor assembly to the frame using (2) M10-1.5 x 75 hex bolts, (2) M10 lock washers, (2) M10 flat washers, and (1) M10-1.5 x 15 setscrew as shown in **Figure 10**.



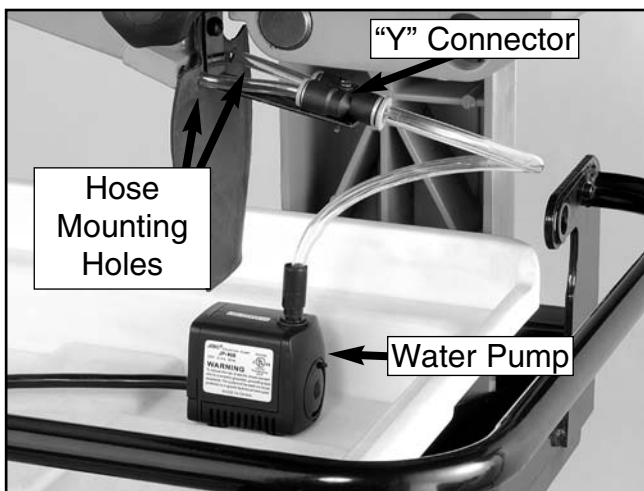
**Figure 10.** Mounting the motor assembly.

9. Attach the blade guard to the motor assembly using the M8-1.25 x 30 lock knob and M8 flat washer as shown in **Figure 11**. *Tile saw blades are sold separately.*



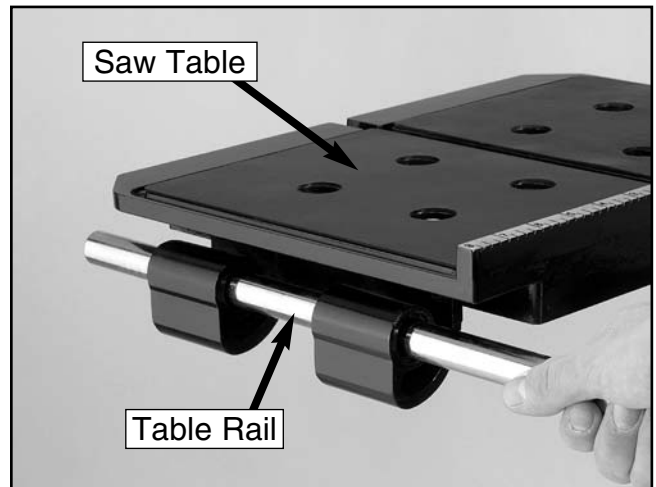
**Figure 11.** Attaching the blade guard.

10. Place the water pump inside the water reservoir and plug the pump cord into the receptacle on the side of the motor assembly. A plastic hose runs from the pump to a “Y” connector and then slides through two mounting holes on each side of the blade guard base (**Figure 12**).



**Figure 12.** Lube system.

11. Slide the chrome table rail through the mounting holes on the table as shown in **Figure 13**.



**Figure 13.** Assembling the table rail.

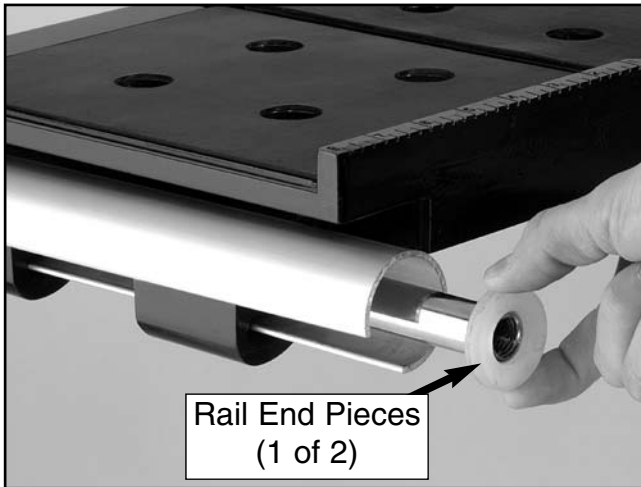
12. Slide the silver aluminum rail cover over the rail as shown in **Figure 14**.



**Figure 14.** Assembling the rail cover.

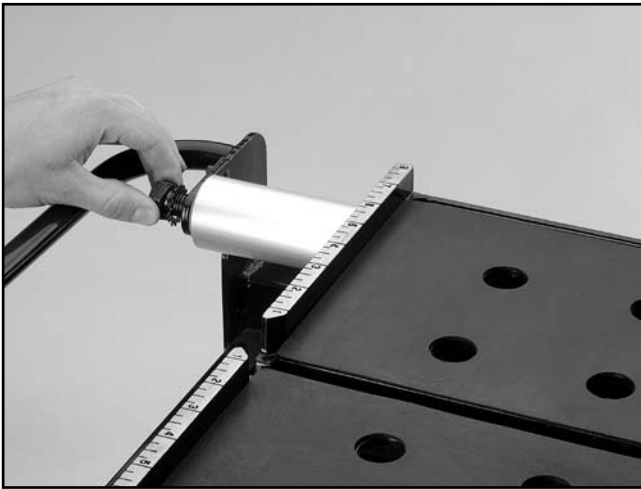


12. Slide the plastic rail end pieces over each of the table rail ends as shown in **Figure 15**.



**Figure 15.** Installing the rail end pieces.

13. Attach the rail/table assembly to the saw frame, using (2) M14-2.0 x 35 hex bolts, (2) M14 flat washers, and (2) M14 external tooth washers as shown in **Figure 16**.



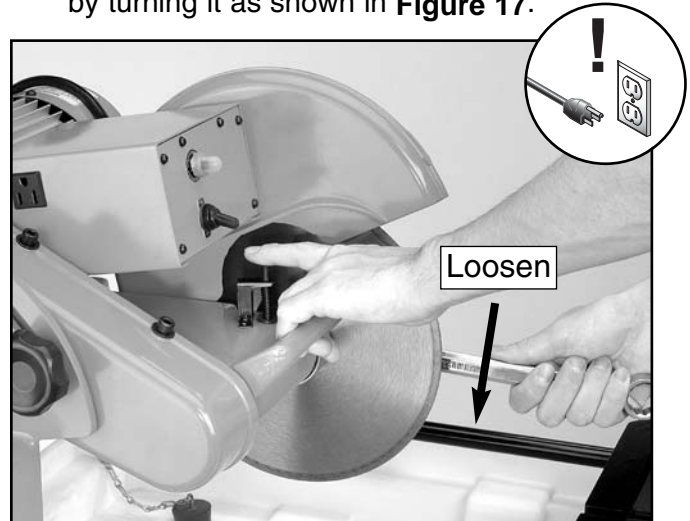
**Figure 16.** Attaching the rail/table assembly to the saw frame.



## Blade Changes

To change/install a blade:

1. **Unplug the machine from the power source!**
2. Loosen the lock knob on the side of the blade guard (**Figure 11, Page 12**).
3. Lift the blade guard to the up position and tighten the lock knob. The blade guard should remain in the up position.
4. Press the arbor lock pin (**Figure 17**) and rotate the arbor nut by hand until the arbor lock pin fully depresses.
5. Continue to hold the arbor lock pin and use an open-end wrench to loosen the arbor nut by turning it as shown in **Figure 17**.

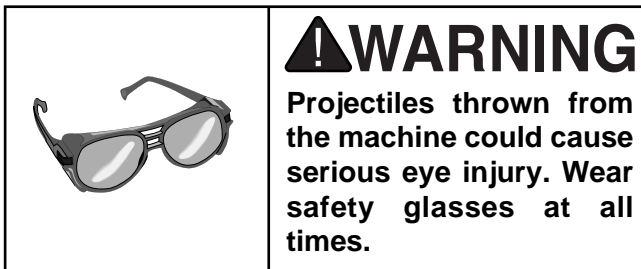
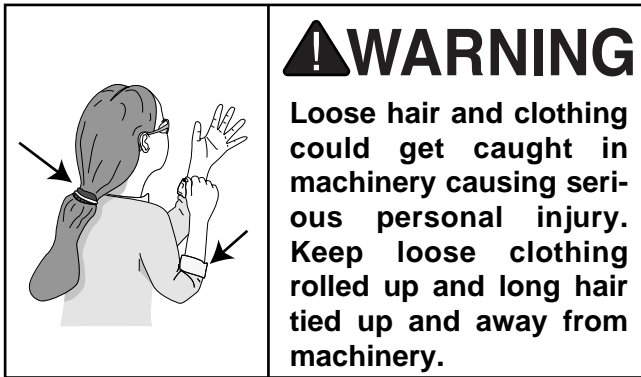


**Figure 17.** Loosening the arbor nut.

6. Remove the arbor nut and flange, and slide the blade onto the arbor.
7. Replace the flange onto the arbor and thread the arbor nut onto the arbor.
8. With the arbor lock pin still fully depressed, tighten the arbor nut using an open-end wrench.
9. Reposition the blade guard to the down position and tighten the knob loosened in **Step 1**.



# Start Up



## Before starting the machine:

1. Read this manual and make sure you follow all safety precautions before operating this machine.
2. Make sure the blade guard has been correctly installed and is adjusted properly as shown on **Page 12**.
3. Make sure all tools or foreign objects have been removed from the machine.
4. Review *Section 3: Circuit Requirements* beginning on **Page 6** and make sure all wiring is correct.

## Starting the machine:

1. Wear ANSI-approved safety glasses at all times when running the saw.
2. Plug the saw into the power source. Be sure the cord is positioned with a “drip loop” below the level of the outlet as shown in **Figure 18**. This prevents water from running down the cord and into the outlet. Instead the water will drip to the floor at the “drip loop” on the cord.



**Figure 18.** Correct cord positioning.

3. Turn the machine on and make sure your hand is on the power switch in case you need to quickly turn the machine off. The machine should run smoothly with little or no vibration.





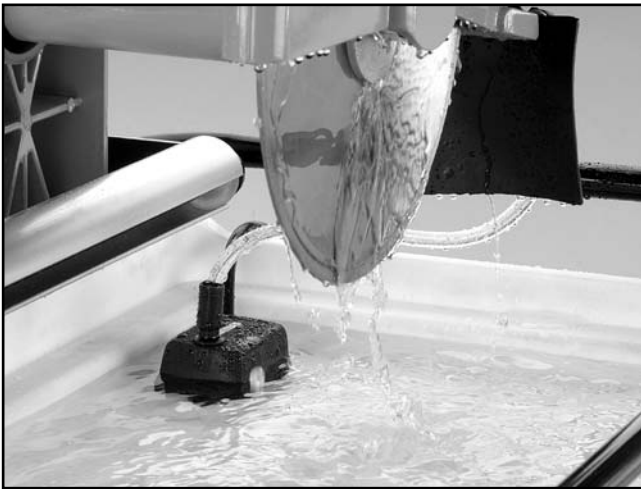
# Lubrication

---

To prevent excessive wear on the saw blade, be sure to maintain a continuous flow of water on both sides of the blade. Never cut tile without the water lubrication system running.

## To set up the water lube system:

1. Assemble the pump and hoses as described on **Page 12**.
2. Position the pump so it does not interfere with the movement of the table.
3. Fill the water reservoir with enough water to completely cover the suction inlet on the pump as shown in **Figure 19**. **DO NOT** over-fill the reservoir.



**Figure 19.** Filled water reservoir.

4. The pump turns on when the saw is turned on. The water flow can be adjusted using the flow rate lever on the side of the pump.



# SECTION 5: OPERATION

## Cut Preparation

### **WARNING**

Wear safety glasses, a dust mask, and hearing protection while cutting with the machine. Failure to do this could result in serious personal injury.



#### To prepare for a cut:

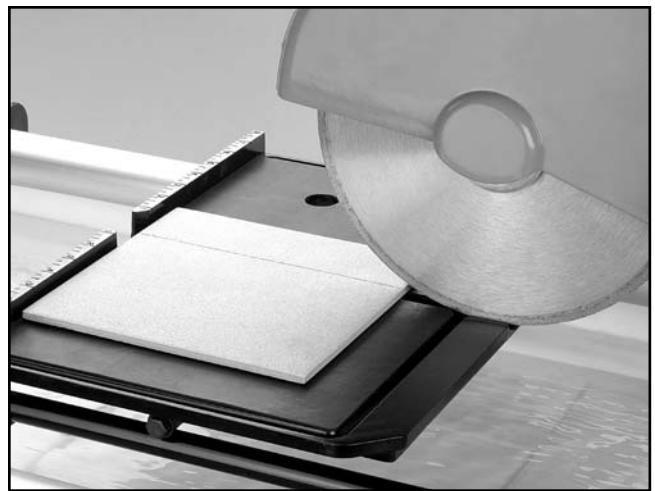
1. Fill the water reservoir with water.
2. Plug the saw into the power source. Be sure the cord is positioned with the “drip loop” below the level of the outlet as shown in **Figure 18, Page 14**.
3. Wear safety glasses and a dust mask.
4. Turn the saw on and allow it to run for one minute. Be sure the blade runs smoothly. If the saw is not operating normally, do not use it. Contact our Service Department.



## Cutting

#### To make a cut:

1. Using a marking pencil, mark the cutline on a piece of tile.
2. Place one edge of the tile against the raised lip on the trailing edge of the table as shown in **Figure 20**.



**Figure 20.** Cutting the tile.

3. Line up the saw blade with the cut line on the tile.
4. Turn the saw on and allow to run for one minute. Be sure the blade runs smoothly. A constant stream of water should be flowing onto each side of the blade.
5. Keeping your fingers out of the cutting path, slowly move the table and tile forward into the saw blade.
6. Do not feed the tile into the blade too fast. If the motor sounds like it is slowing down during the cut, you are feeding the tile too fast. Slow down the feed rate immediately.

If the saw shuts off unexpectedly, stop cutting the tile and turn the power switch off. Wait 15 minutes and press the circuit reset button.



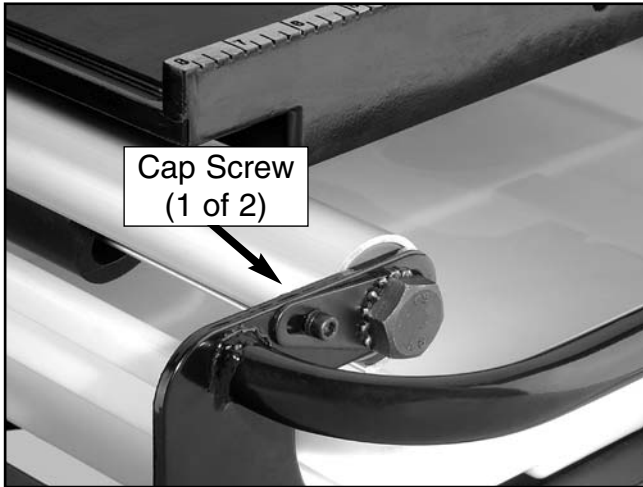
---

## Rip Fence

---

When multiple tiles need to be cut to the same dimension, the rip fence can increase production. Use the scale on the table to set the rip fence to the desired cut. Make several test cuts to check the accuracy.

If the scale on the table does not produce accurate cuts, the scale and table position can be fine-tuned by loosening the cap screws (See **Figure 21**) and adjusting the table.



**Figure 21.** Table fine-tuning cap screw.

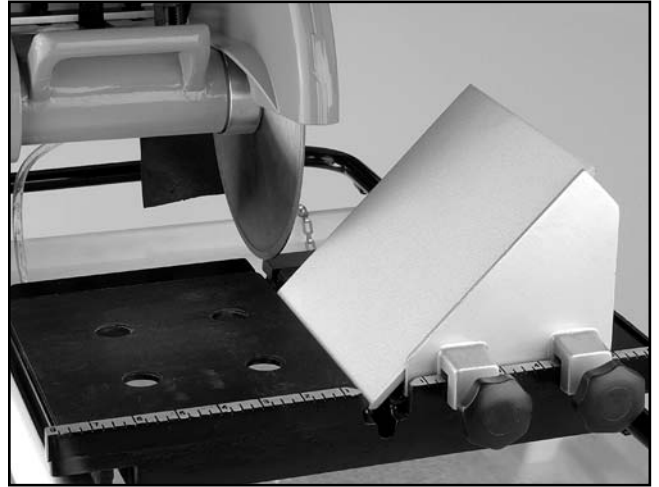


---

## 45° Fence

---

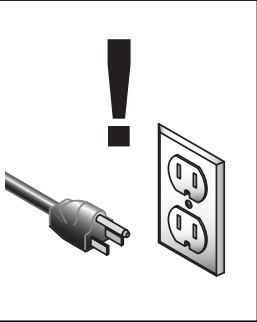
45° beveled edges are cut on tiles using the 45° miter fence. Use the cutting groove in the center of the table to support the tile edge (**Figure 22**) as you slide the tile and table into the saw blade.



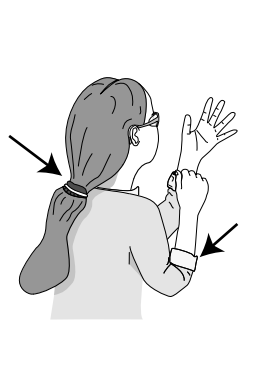
**Figure 22.** Bevel cutting a tile edge.




# SECTION 6: MAINTENANCE



**⚠️ WARNING**  
Disconnect power to the machine when performing any maintenance on the table saw. Failure to do this could result in serious personal injury.



**⚠️ WARNING**  
Loose hair and clothing could get caught in machinery causing serious personal injury. Keep loose clothing rolled up and long hair tied up and away from machinery.



**⚠️ WARNING**  
Projectiles thrown from the machine could cause serious eye injury. Wear safety glasses during assembly.

## General

Regular periodic maintenance on your Model H3390 will ensure its optimum performance. Make a habit of inspecting your machine each time you use it.

**Check for the following conditions and repair or replace when necessary:**

1. Conditions allowing prolonged exposure of the motor and electrical components to water.
2. Loose mounting bolts.
3. Worn switch.
4. Worn or damaged cords and plugs.
5. Damaged V-belt.
6. Any other condition that could hamper the safe operation of this machine.
7. Inspect blades for damage.
8. Guard alignment and operation.



# SECTION 7: REFERENCE INFO

---

If you need parts or help in assembling your machine, or if you need operational information, call the Grizzly Service Department. Trained service technicians will be glad to help you.

If you have any comments regarding this manual, please write to Grizzly at the address below:

Grizzly Industrial, Inc.  
c/o Technical Documentation  
P.O. Box 2069  
Bellingham, WA 98227-2069

Important safety measures that are essential to the operation of this machine have been explained in *Section 1: Safety*. While most safety measures are generally universal, Grizzly reminds you that each workshop is different and safety rules should be considered as they apply to your specific situation.

We recommend you keep a copy of our current catalog for complete information regarding Grizzly's warranty and return policy. If you need additional technical information relating to this machine, or if you need general assistance or replacement parts, please contact the Service Department at the location listed below.

Grizzly Industrial, Inc.  
1203 Lycoming Circle  
Muncy, PA 17756  
Phone: (570) 546-9663  
Fax: (800) 438-5901  
E-Mail: [techsupport@grizzly.com](mailto:techsupport@grizzly.com)  
Web Site: <http://www.grizzly.com>.

Additional information sources are necessary to realize the full potential of this machine. Trade journals, woodworking magazines, and your local library are good places to start.





# MACHINE DATA SHEET

Customer Service #: (570) 546-9663 • To Order Call: (800) 523-4777 • Fax #: (800) 438-5901

## Model H3390 10" Wet Tile Saw

**Design Type**.....Floor Model

**Overall Dimensions:**

Table Height .....48<sup>3</sup>/<sub>4</sub>"  
Table Size .....16<sup>3</sup>/<sub>8</sub>" x 11<sup>1</sup>/<sub>8</sub>"  
Water Reservoir .....35<sup>1</sup>/<sub>4</sub>" x 18<sup>1</sup>/<sub>2</sub>" x 3"  
Net Weight .....107 lbs.

**Construction:**

Table .....Precision Ground Cast Iron  
Stand.....Steel  
Bearings .....Sealed & Permanently Lubricated Ball Bearings

**Cutting Capacity:**

Maximum Blade Diameter .....10"  
Maximum Depth of Cut at 90° .....3<sup>3</sup>/<sub>4</sub>"  
Rip Cut Capacity .....18"  
Diagonal Cut Capacity.....12"

**Motor:**

Type .....TEFC Capacitor Start Induction  
Horsepower ..... 2<sup>1</sup>/<sub>2</sub> HP  
Phase / Cycle .....Single-Phase / 60 HZ  
Voltage .....110V  
Amps .....15A  
Motor Speed..... 3450 RPM  
Power Transfer .....Belt Drive  
Switch .....ON/OFF Toggle

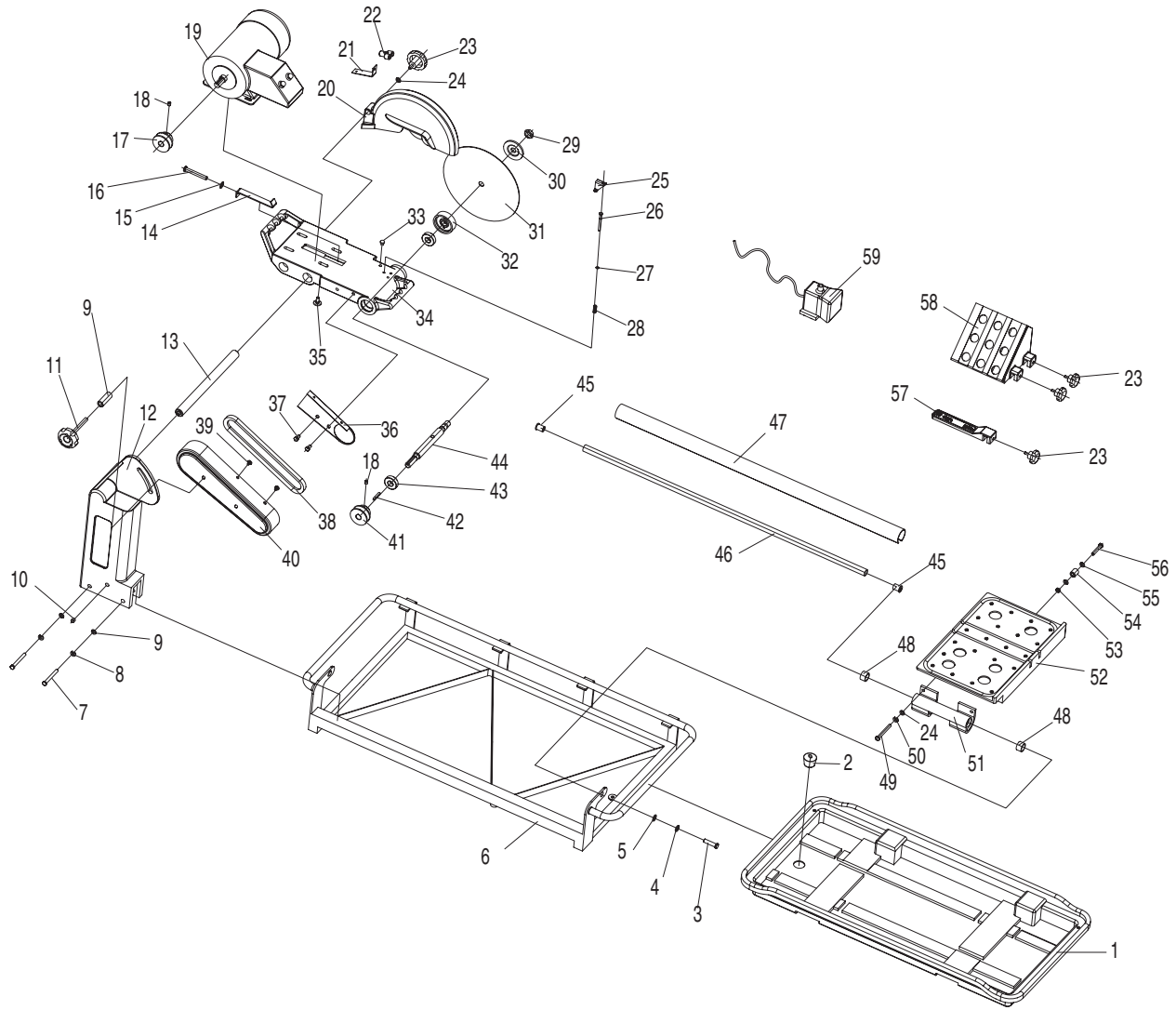
**Arbor:**

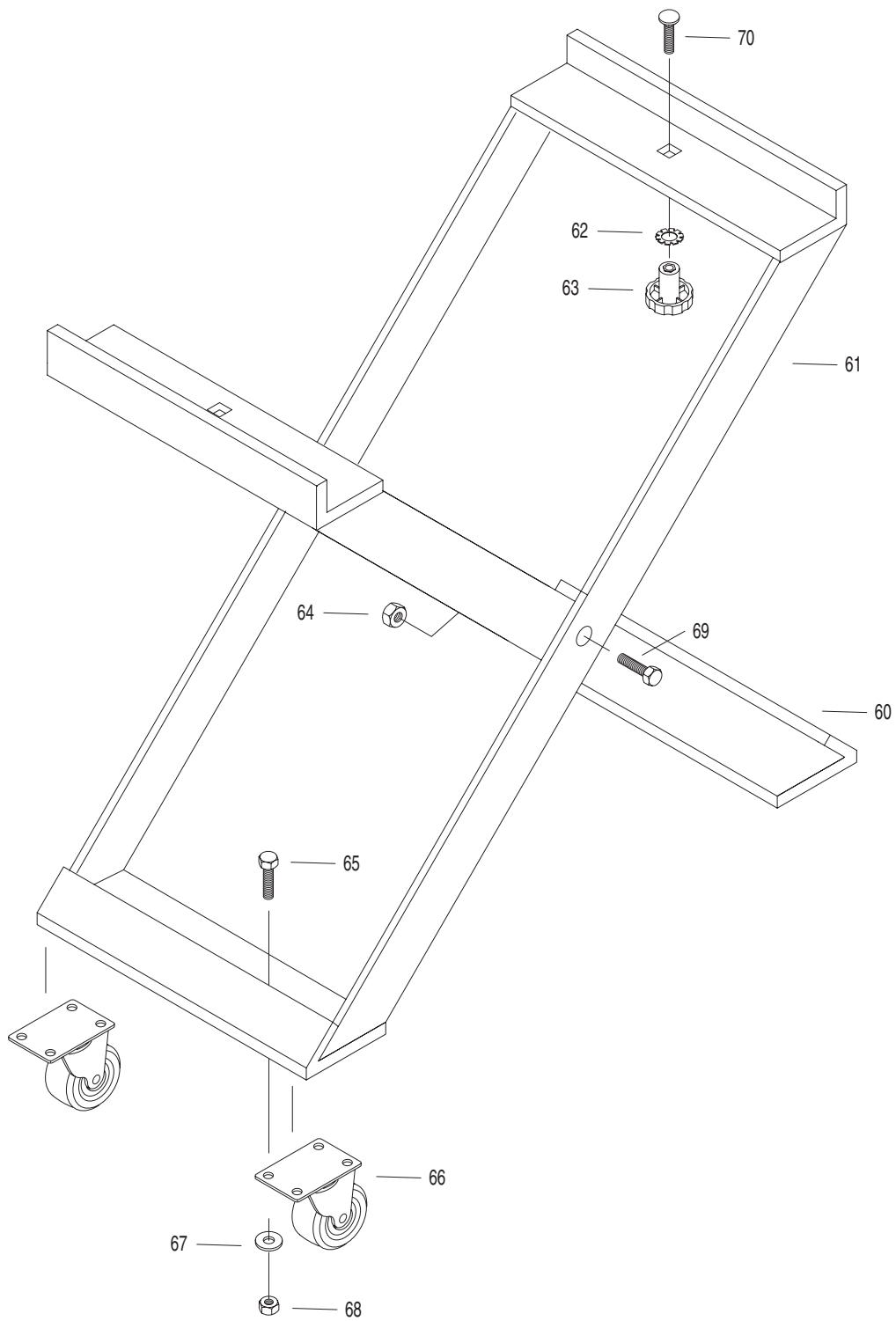
Diameter .....<sup>5</sup>/<sub>8</sub>"

**Features:**

.....Water Pump Lubrication System  
.....Portable Stand With Fixed Casters  
.....

*Specifications, while deemed accurate, are not guaranteed.*







REF	PART #	DESCRIPTION
1	PH3390001	WATER RESERVOIR
2	PH3390002	PLASTIC BLOCK
3	PB36M	HEX BOLT M14-2.0 X 35
4	PW10M	FLAT WASHER M14
5	PTLW04M	TEETH WASHER M14
6	PH3390006	SAW FRAME
7	PB44M	HEX BOLT M10-1.5 X 75
8	PLW06M	SPRING WASHER M10
9	PW04M	FLAT WASHER M10
10	PSS43M	SETSCREW M10-1.5 X 15
11	PH3390011	LOCK KNOB M10-1.5 X 37
12	PH3390012	SUPPORT FRAME
13	PH3390013	SHAFT
14	PH3390014	TENSION ADJUST PLATE
15	PW04M	FLAT WASHER M10
16	PB13M	HEX BOLT M10-1.5 X 80
17	PH3390017	MOTOR PULLEY
18	PSS01M	SETSCREW M6-1.0 X 10
19	PH3390019	MOTOR
20	PH3390020	BLADE GUARD
21	PH3390021	FIXING PLATE
22	PH3390022	Y-CONNECTOR
23	PH3390023	LOCK KNOB M8-1.25 X 30
24	PW01M	FLAT WASHER M8
25	PH3390025	BRAKE HOLDER
26	PH3390026	BRAKE SHAFT
27	PH3390027	E-RING
28	PH3390028	SPRING
29	PN02M	HEX NUT M10-1.5
30	PH3390030	OUTER FLANGE
31	PH3390031	BLADE (NOT INCLUDED)
32	PH3390032	INNER FLANGE
33	PH3390033	RUBBER BLOCK
34	PH3390034	MACHINE BED
35	PB40M	HEX BOLT M10-1.5 X 15

REF	PART #	DESCRIPTION
36	PH3390036	WHEEL COVER
37	PSB14M	CAP SCREW M8-1.25 X 20
38	PH3390038	V-BELT A-680
39	PSB14M	CAP SCREW M8-1.25 X 20
40	PH3390040	PULLEY COVER
41	PH3390041	DRIVE PULLEY
42	PK12M	KEY 5 X 5 X 30
43	PH3390043	BEARING
44	PH3390044	SPINDLE
45	PH3390045	INSERT
46	PH3390046	RAIL
47	PH3390047	RAIL COVER
48	PH3390048	INSERT
49	PB09M	HEX BOLT M8-1.25 X 20
50	PLW04M	SPRING WASHER M8
51	PH3390051	TABLE HOLDER
52	PH3390052	TABLE
53	PN03M	HEX NUT M8-1.25
54	PH3390054	WHEEL
55	PW01M	FLAT WASHER M8
56	PB15M	HEX BOLT M8-1.25 X 40
57	PH3390057	RIP FENCE
58	PH3390058	45° MITER FENCE
59	PH3390059	PUMP
60	PH3390060	STAND BRACKET
61	PH3390061	STAND BRACKET
62	PTLW05M	EXT TOOTH WASHER M6
63	PH3390063	KNOB BOLT M6-1.0
64	PLN04M	LOCK NUT M8-1.25
65	PB47M	HEX BOLT M6-1.0 X 40
66	PH3390066	CASTER
67	PW03M	FLAT WASHER M6
68	PN01M	HEX NUT M6-1.0
69	PB22M	HEX BOLT M8-1.25 x 50
70	PCB08M	CARRIAGE BOLT M6-1.0 X 20

# NOTES

---

---

# NOTES

---

---

# WARRANTY AND RETURNS

---

---

Grizzly Industrial, Inc. warrants every product it sells for a period of **1 year** to the original purchaser from the date of purchase. This warranty does not apply to defects due directly or indirectly to misuse, abuse, negligence, accidents, repairs or alterations or lack of maintenance. This is Grizzly's sole written warranty and any and all warranties that may be implied by law, including any merchantability or fitness, for any particular purpose, are hereby limited to the duration of this written warranty. We do not warrant or represent that the merchandise complies with the provisions of any law or acts unless the manufacturer so warrants. In no event shall Grizzly's liability under this warranty exceed the purchase price paid for the product and any legal actions brought against Grizzly shall be tried in the State of Washington, County of Whatcom.

We shall in no event be liable for death, injuries to persons or property or for incidental, contingent, special, or consequential damages arising from the use of our products.

To take advantage of this warranty, contact us by mail or phone and give us all the details. We will then issue you a "Return Number," which must be clearly posted on the outside as well as the inside of the carton. We will not accept any item back without this number. Proof of purchase must accompany the merchandise.

The manufacturers reserve the right to change specifications at any time because they constantly strive to achieve better quality equipment. We make every effort to ensure that our products meet high quality and durability standards and we hope you never need to use this warranty.

Please feel free to write or call us if you have any questions about the machine or the manual.

Thank you again for your business and continued support. We hope to serve you again soon.

# WARRANTY CARD

Name \_\_\_\_\_  
Street \_\_\_\_\_  
City \_\_\_\_\_ State \_\_\_\_\_ Zip \_\_\_\_\_  
Phone Number \_\_\_\_\_ E-Mail \_\_\_\_\_ FAX \_\_\_\_\_  
MODEL # \_\_\_\_\_ Order # \_\_\_\_\_ Serial # \_\_\_\_\_

The following information is given on a voluntary basis. It will be used for marketing purposes to help us develop better products and services. Of course, all information is strictly confidential.

- How did you learn about us?  
 Advertisement  Friend  
 Catalog  Card Deck  
 World Wide Web  
 Other \_\_\_\_\_
- Which of the following magazines do you subscribe to.  
 American Woodworker  Practical Homeowner  
 Cabinetmaker  Shop Notes  
 Family Handyman  Today's Homeowner  
 Fine Homebuilding  WOOD  
 Fine Woodworking  Wooden Boat  
 Home Handyman  Woodshop News  
 Journal of Light Construction  Woodsmith  
 Old House Journal  Woodwork  
 Popular Mechanics  Woodworker  
 Popular Science  Woodworker's Journal  
 Popular Woodworking  Workbench  
 Other \_\_\_\_\_
- Which of the following woodworking/remodeling shows do you watch?  
 Backyard America  The New Yankee Workshop  
 Home Time  This Old House  
 The American Woodworker  Woodwright's Shop  
 Other \_\_\_\_\_
- What is your annual household income?  
 \$20,000-\$29,999  \$60,000-\$69,999  
 \$30,000-\$39,999  \$70,000-\$79,999  
 \$40,000-\$49,999  \$80,000-\$89,999  
 \$50,000-\$59,999  \$90,000 +
- What is your age group?  
 20-29  50-59  
 30-39  60-69  
 40-49  70 +
- How long have you been a woodworker?  
 0 - 2 Years  8 - 20 Years  
 2 - 8 Years  20+ Years
- How would you rank your woodworking skills?  
 Simple  Advanced  
 Intermediate  Master Craftsman
- What stationary woodworking tools do you own? Check all that apply.  
 Air Compressor  Panel Saw  
 Band Saw  Planer  
 Drill Press  Power Feeder  
 Drum Sander  Radial Arm Saw  
 Dust Collector  Shaper  
 Horizontal Boring Machine  Spindle Sander  
 Jointer  Table Saw  
 Lathe  Vacuum Veneer Press  
 Mortiser  Wide Belt Sander  
 Other \_\_\_\_\_
- How many of your woodworking machines are Grizzly? \_\_\_\_\_
- Which benchtop tools do you own? Check all that apply.  
 1" x 42" Belt Sander  6" - 8" Grinder  
 5" - 8" Drill Press  Mini Lathe  
 8" Table Saw  10" - 12" Thickness Planer  
 8" - 10" Bandsaw  Scroll Saw  
 Disc/Belt Sander  Spindle/Belt Sander  
 Mini Jointer  
 Other \_\_\_\_\_
- How many of the machines checked above are Grizzly? \_\_\_\_\_
- Which portable/hand held power tools do you own? Check all that apply.  
 Belt Sander  Orbital Sander  
 Biscuit Joiner  Palm Sander  
 Circular Saw  Portable Planer  
 Detail Sander  Saber Saw  
 Drill/Driver  Reciprocating Saw  
 Miter Saw  Router  
 Other \_\_\_\_\_
- What machines/supplies would you like Grizzly Industrial to carry?  
\_\_\_\_\_  
\_\_\_\_\_
- What new accessories would you like Grizzly Industrial to carry?  
\_\_\_\_\_  
\_\_\_\_\_
- What other companies do you purchase your tools and supplies from?  
\_\_\_\_\_  
\_\_\_\_\_
- Do you think your purchase represents good value?  
 Yes  No
- Would you recommend Grizzly Industrial to a friend?  
 Yes  No
- Would you allow us to use your name as a reference for Grizzly customers in your area? **Note: We never use names more than three times.**  
 Yes  No
- Comments: \_\_\_\_\_  
\_\_\_\_\_  
\_\_\_\_\_  
\_\_\_\_\_

CUT ALONG DOTTED LINE

FOLD ALONG DOTTED LINE

\_\_\_\_\_  
\_\_\_\_\_  
\_\_\_\_\_



Place  
Stamp  
Here



**GRIZZLY INDUSTRIAL, INC.**  
**P.O. BOX 2069**  
**BELLINGHAM, WA 98227-2069**



FOLD ALONG DOTTED LINE

Send a Grizzly Catalog to a friend:

Name \_\_\_\_\_  
Street \_\_\_\_\_  
City \_\_\_\_\_ State \_\_\_\_\_ Zip \_\_\_\_\_

TAPE ALONG EDGES--PLEASE DO NOT STAPLE



# *grizzly.com*

**TOOL WEBSITE**

Buy Direct and Save with Grizzly® – Trusted, Proven and a Great Value!

*Visit Our Website Today And Discover Why  
Grizzly® Is The Industry Leader!*

- SECURE ORDERING
- ORDERS SHIPPED WITHIN 24 HOURS
- E-MAIL RESPONSE WITHIN ONE HOUR

-OR-

Call Today For A **FREE**  
Full Color Catalog

**1-800-523-4777**

